

IS 345

COM1 - concealed, sq.
EAN 4007841 033804
Article number 033804



Infrarot-Sensor
360°



Max. 20 x 4 m

2000 W

2000 W Max. (LED-fähig)



IP20



2 - 1000 Lux



5 Sek - 15 Min



Manuelle
Übersteuerung 4
Std



Ideal 2,5 - 5 m

Teach

Teach mode



Energie sparen

Function description

Huge reach. Infrared motion detector IS 345 for indoors and out, ideal for passageways, corridors and commonly used spaces, installation height 5 m, detection zone 12 x 6 m (radial) and 23 x 6 m (tangential), heavy-duty relay for high switching capacity. Available either in round or square surface-mounted, concealed or In-ceiling installation.

Technical specifications

Dimensions (L x W x H)	78 x 94 x 94 mm	LED lamps > 8 W	600 W
Manufacturer's Warranty	5 years	Capacitive load in µF	176 µF
Settings via	Remote control, Potentiometers, Smart Remote	Technology, sensors	passive infrared, Light sensor
With remote control	No	Mounting height	2,50 – 5,00 m
Version	COM1 - concealed, sq.	Mounting height max.	5,00 m
PU1, EAN	4007841033804	Optimum mounting height	2,8 m
Type	Motion detectors	Detection angle	Aisle, 360 °
Application, place	Indoors	Angle of aperture	45 °
Application, room	corridor / aisle, multi-storey / underground car park, Indoors	Sneak-by guard	Yes
Colour	white	Capability of masking out individual segments	Yes
Colour, RAL	9003	Electronic scalability	No
Includes corner wall mount	No	Mechanical scalability	No
Installation site	ceiling	Reach, radial	12 x 6 m (72 m ²)
Installation	Concealed wiring, Ceiling	Reach, tangential	23 x 6 m (138 m ²)
IP-rating	IP20	Switching zones	280 switching zones
Ambient temperature	-20 – 50 °C	Functions	Normal / test mode, Manual ON / ON-OFF

IS 345

COM1 - concealed, sq.
 EAN 4007841 033804
 Article number 033804



Technical specifications

Material	Plastic
Mains power supply	220 – 240 V / 50 – 60 Hz
Switching output 1, resistive	2000 W
Switching output 1, number of LEDs / fluorescent lamps	8 pcs.
Fluorescent lamps, electronic ballast	1500 W
Fluorescent lamps, uncorrected	1000 VA
Fluorescent lamps, series-corrected	400 VA
Fluorescent lamps, parallel-corrected	400 VA
Switching output 1, low-voltage halogen lamps	2000 VA
LED lamps < 2 W	100 W
LED lamps > 2 W < 8 W	300 W

Twilight setting	2 – 1000 lx
Time setting	5 s – 15 Min.
Basic light level function	No
Main light adjustable	No
Twilight setting TEACH	Yes
Constant-lighting control	No
Interconnection	Yes
Type of interconnection	Master/master
Interconnection via	Cable
Interconnection, number	max. 10 sensors

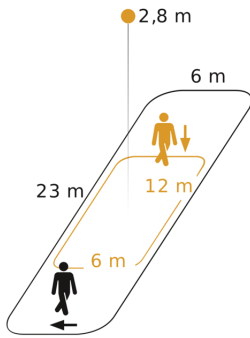
Accessories

EAN 4007841 009151	Remote control Smart Remote
EAN 4007841 559410	Service remote control RC8
EAN 4007841 056728	Black cover for IR-sensors

IS 345

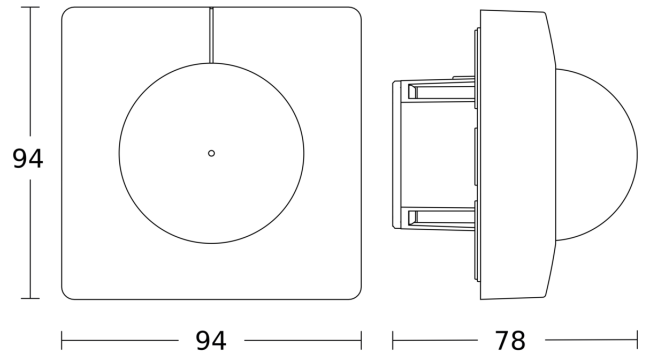
COM1 - concealed, sq.
EAN 4007841 033804
Article number 033804

Detection Zone

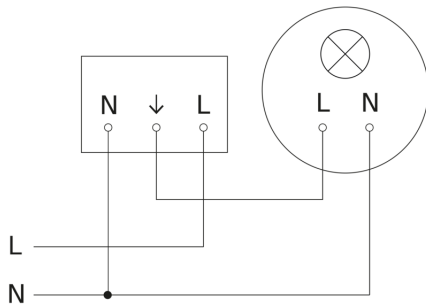


Possible mounting height: 2,50 m - 5,00 m
Orange: radial
Black: tangential

Dimension Drawing



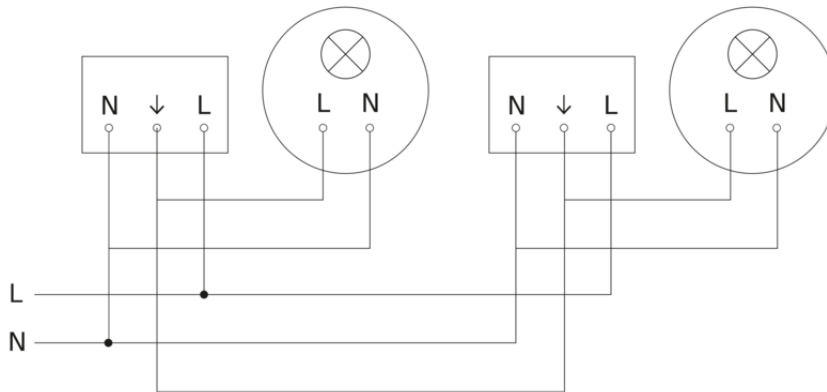
Master circuit diagram



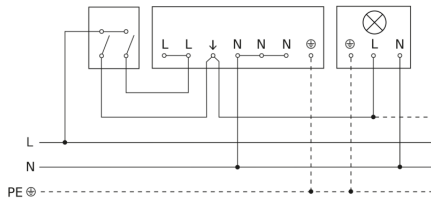
IS 345

COM1 - concealed, sq.
EAN 4007841 033804
Article number 033804

Circuit diagram for interconnecting several sensors



Connection using two-circuit switch for manual and automatic operation



Circuit diagram Connection via a changeover switch for continuous and automatic operation

